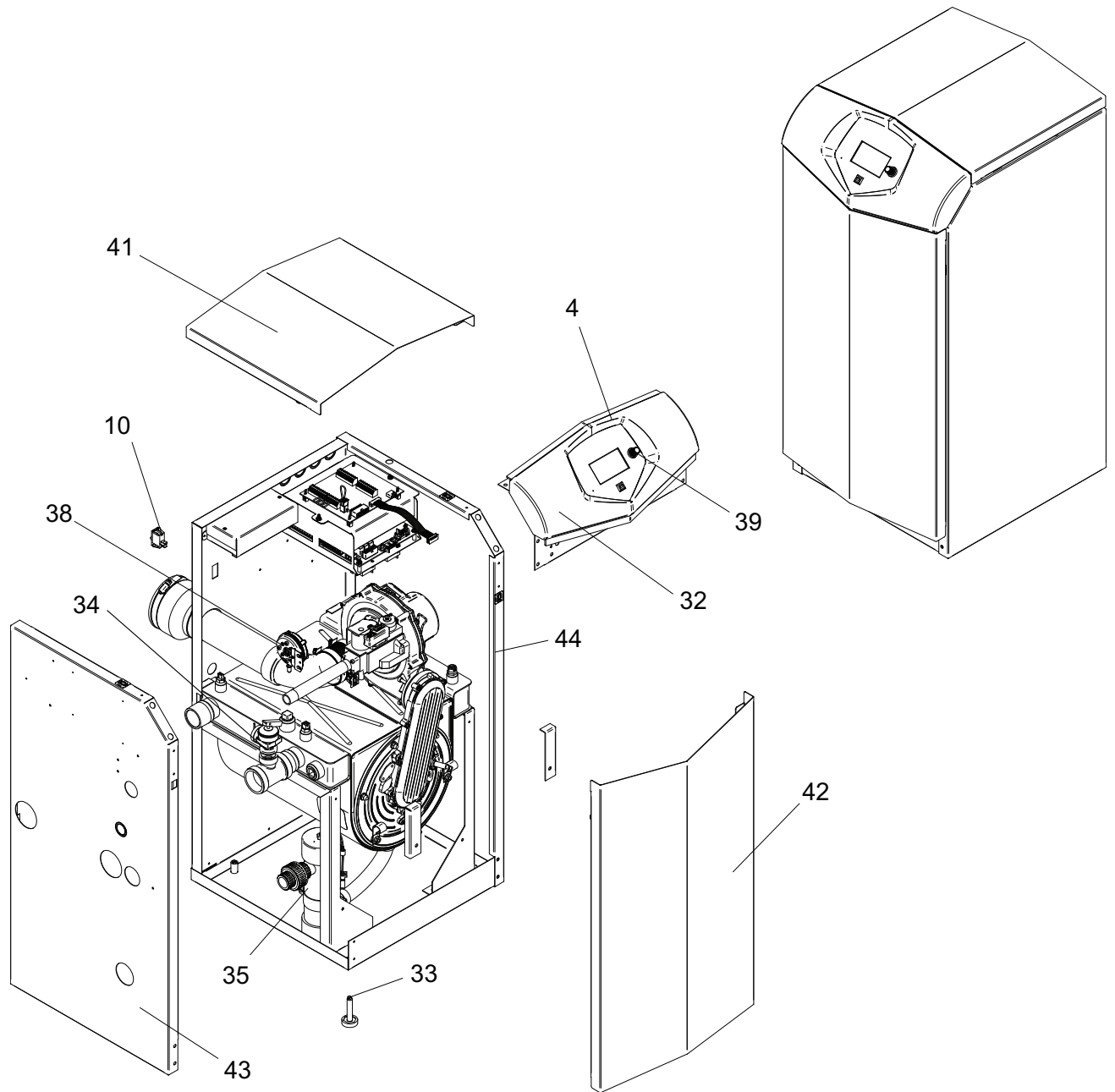




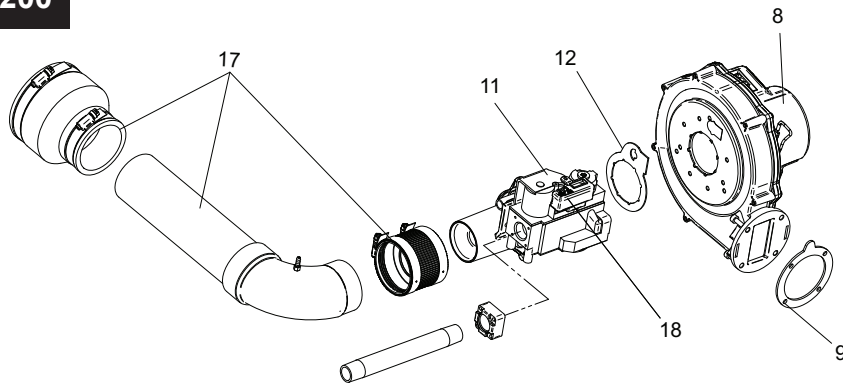
**PARTS & SERVICE DEPARTMENT**  
 Nashville, Tennessee  
 877-554-5544 • Fax: 615-882-2918  
 parts\_team@lochinvar.com  
 www.Lochinvar.com

**Replacement Parts List**

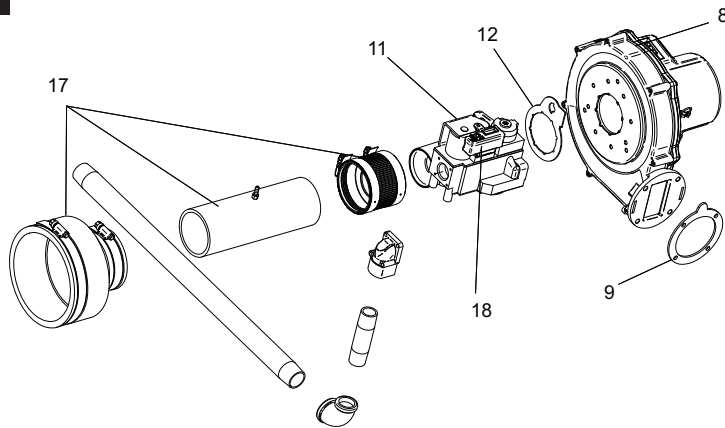
**Armor**  
**Condensing Water Heater**  
**AW 151 thru 801**



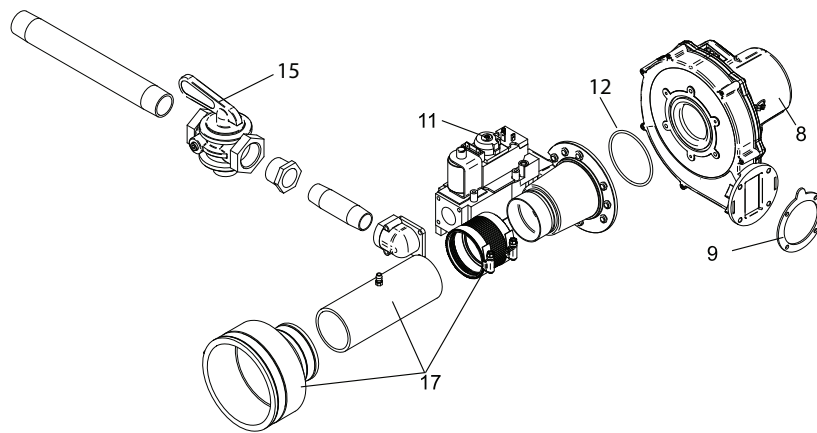
### GAS TRAIN 151-200



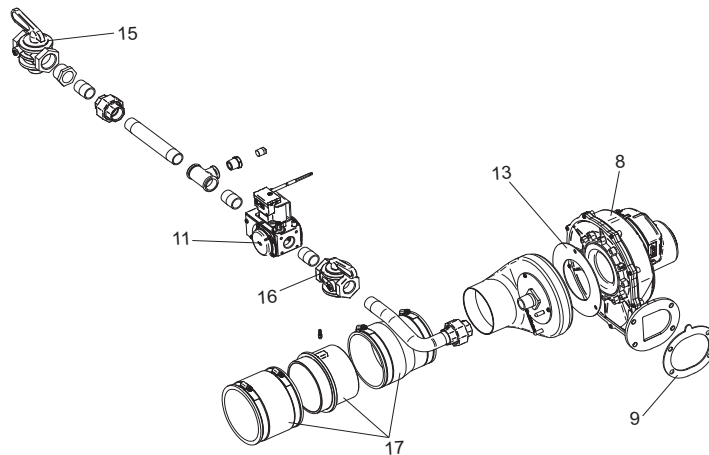
### GAS TRAIN 286



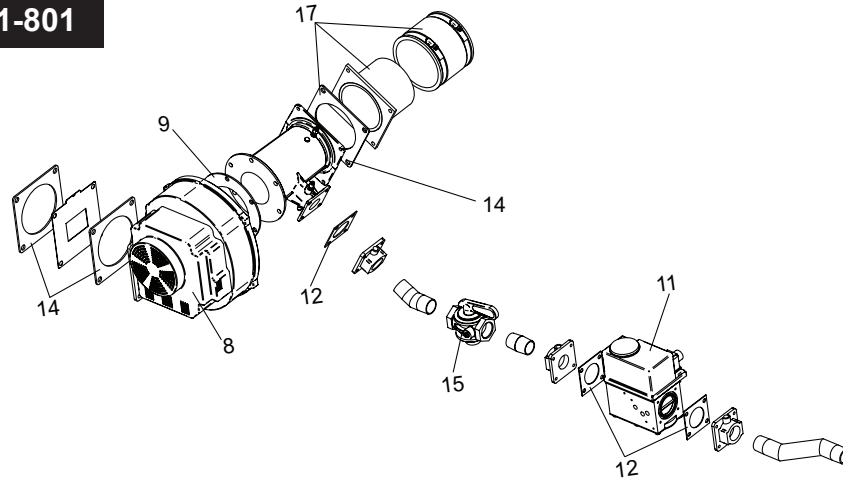
### GAS TRAIN 400



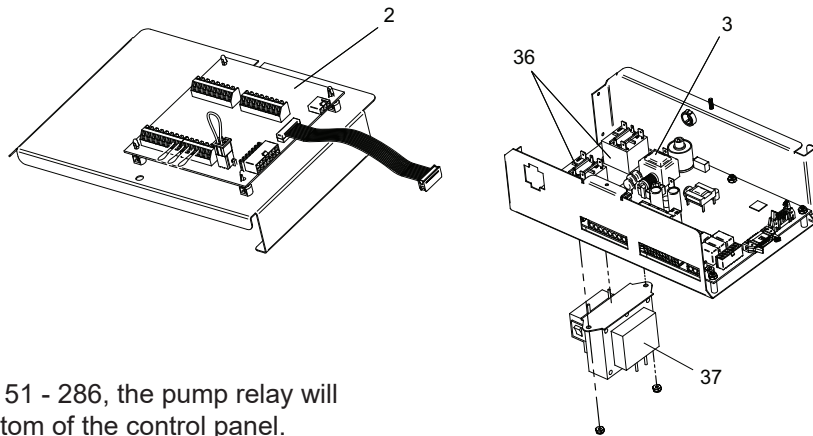
### GAS TRAIN 501



## GAS TRAIN 601-801

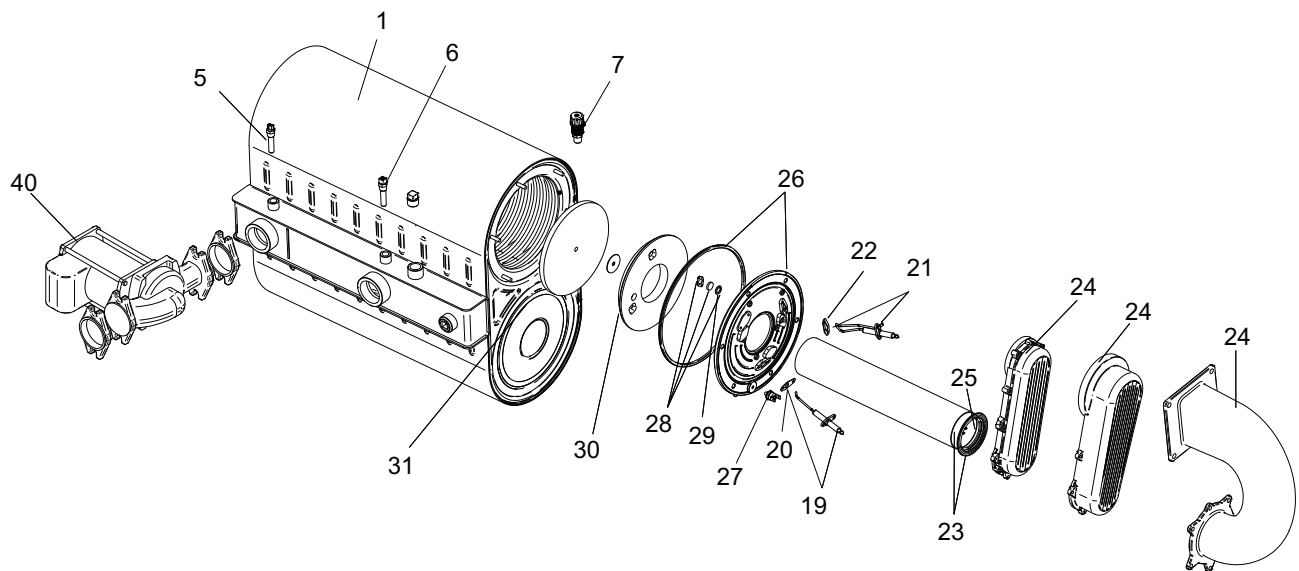


## CONTROL PANEL



**NOTE:** For models 151 - 286, the pump relay will be located on the bottom of the control panel.

## HEAT EXCHANGER



IMG00951

| ITEM NO.                       | PART NO.          | DESCRIPTION                                | MODEL            |
|--------------------------------|-------------------|--------------------------------------------|------------------|
| <b>HEAT EXCHANGER ASSEMBLY</b> |                   |                                            |                  |
| 1                              | 100147750         | HEAT EXCHANGER                             | AW 151           |
| 1                              | 100147751         | HEAT EXCHANGER                             | AW 200           |
| 1                              | 100147752         | HEAT EXCHANGER                             | AW 286           |
| 1                              | 100147753         | HEAT EXCHANGER                             | AW 400           |
| 1                              | 100147754         | HEAT EXCHANGER                             | AW 501           |
| 1                              | 100147306         | HEAT EXCHANGER                             | AW 601           |
| 1                              | 100147307         | HEAT EXCHANGER                             | AW 701           |
| 1                              | 100147308         | HEAT EXCHANGER                             | AW 801           |
| <b>CONTROLS</b>                |                   |                                            |                  |
| 2                              | <b>100208473*</b> | CONNECTION BOARD                           | ALL              |
| 3                              | <b>100167803*</b> | INTEGRATED CONTROL                         | AW 151 - 286     |
| 3                              | <b>100167804*</b> | INTEGRATED CONTROL                         | AW 400           |
| 3                              | <b>100167805*</b> | INTEGRATED CONTROL                         | AW 501           |
| 3                              | <b>100167807*</b> | INTEGRATED CONTROL                         | AW 601 - 801     |
| 3                              | 100167808         | HIGH ALTITUDE INTEGRATED CONTROL           | AW 151 - 286     |
| 3                              | 100167809         | HIGH ALTITUDE INTEGRATED CONTROL           | AW 400           |
| 3                              | 100167810         | HIGH ALTITUDE INTEGRATED CONTROL           | AW 501           |
| 3                              | 100167811         | HIGH ALTITUDE INTEGRATED CONTROL           | AW 601 - 801     |
| 4                              | <b>100208458*</b> | USER INTERFACE CONTROL                     | ALL              |
| 5                              | <b>100208549*</b> | SENSOR, INLET                              | ALL              |
| 5                              | 100208563         | SENSOR, INLET, SS (OPTIONAL)               | ALL              |
| 6                              | <b>100208544*</b> | SENSOR, OUTLET / HIGH LIMIT                | ALL              |
| 6                              | 100208558         | SENSOR, OUTLET / HIGH LIMIT, SS (OPTIONAL) | ALL              |
| 7                              | 100167445         | AIR VENT VALVE                             | ALL              |
| 8                              | 100145004         | FAN ASSEMBLY                               | AW 151           |
| 8                              | 100145005         | FAN ASSEMBLY                               | AW 200           |
| 8                              | 100145006         | FAN ASSEMBLY                               | AW 286           |
| 8                              | 100145008         | FAN ASSEMBLY                               | AW 400           |
| 8                              | 100145009         | FAN ASSEMBLY                               | AW 501           |
| 8                              | 100144980         | FAN ASSEMBLY                               | AW 601 - 801     |
| 9                              | <b>100208764*</b> | GASKET, BLOWER                             | AW 200           |
| 9                              | <b>100208101*</b> | GASKET, BLOWER                             | AW 151, 286, 400 |
| 9                              | <b>100208759*</b> | GASKET, BLOWER                             | AW 501           |
| 9                              | <b>100233694*</b> | GASKET, VENTURI                            | AW 601 - 801     |
| 10                             | 100208242         | SWITCH, ON/OFF                             | ALL              |
| <b>GAS VALVES</b>              |                   |                                            |                  |
| 11                             | 100172003         | GAS VALVE ASSEMBLY NAT                     | AW 151           |
| 11                             | 100172004         | GAS VALVE ASSEMBLY NAT                     | AW 200           |
| 11                             | 100172005         | GAS VALVE ASSEMBLY NAT                     | AW 286           |
| 11                             | 100172006         | GAS VALVE ASSEMBLY NAT                     | AW 400           |
| 11                             | 100172009         | GAS VALVE ASSEMBLY NAT                     | AW 501           |
| 11                             | 100172014         | GAS VALVE ASSEMBLY NAT                     | AW 601           |
| 11                             | 100171923         | GAS VALVE ASSEMBLY NAT                     | AW 701           |
| 11                             | 100172015         | GAS VALVE ASSEMBLY NAT                     | AW 801           |
| 11                             | 100171928         | GAS VALVE ASSEMBLY LP                      | AW 501           |
| 11                             | 100171929         | GAS VALVE ASSEMBLY LP                      | AW 601           |
| 11                             | 100171930         | GAS VALVE ASSEMBLY LP                      | AW 701           |
| 11                             | 100171931         | GAS VALVE ASSEMBLY LP                      | AW 801           |
| 12                             | 100208760         | GASKET, GAS VALVE                          | AW 151 - 286     |
| 12                             | 100208761         | GASKET, GAS VALVE                          | AW 400           |
| 12                             | 100208105         | GASKET, GAS VALVE                          | AW 601 - 801     |
| 13                             | 100233703         | GASKET, AIR SHROUD                         | AW 501           |

PLEASE HAVE SERIAL NUMBER AVAILABLE WHEN ORDERING PARTS  
\*ITEMS DENOTE SUGGESTED INVENTORY PARTS

| ITEM NO.                                                                                                   | PART NO.          | DESCRIPTION                               | MODEL                |
|------------------------------------------------------------------------------------------------------------|-------------------|-------------------------------------------|----------------------|
| <b>GAS VALVES (CONTINUED)</b>                                                                              |                   |                                           |                      |
| 14                                                                                                         | 100208089         | GASKET, AIR INTAKE                        | AW 400 - 801         |
| 15                                                                                                         | 100300201         | GAS CUT OFF VALVE 1" X 1"                 | AW 501 - 801         |
| 16                                                                                                         | 100277803         | GAS CUT OFF VALVE 3/4" X 3/4"             | AW 501               |
| 17                                                                                                         | 100163251         | AIR INLET KIT                             | AW 151               |
| 17                                                                                                         | 100163252         | AIR INLET KIT                             | AW 200               |
| 17                                                                                                         | 100163253         | AIR INLET KIT                             | AW 286               |
| 17                                                                                                         | 100163254         | AIR INLET KIT                             | AW 400               |
| 17                                                                                                         | 100163255         | AIR INLET KIT                             | AW 601 - 801         |
| 17                                                                                                         | 100163256         | AIR INLET KIT                             | AW 501               |
| 18                                                                                                         | <b>100208324*</b> | GAS VALVE SWITCH                          | AW 151 - 286         |
| <b>PILOT &amp; BURNER ASSEMBLIES</b>                                                                       |                   |                                           |                      |
| 19                                                                                                         | <b>100165930*</b> | FLAME SENSOR W/ GASKET                    | AW 151 - 501         |
| 19                                                                                                         | <b>100165931*</b> | FLAME SENSOR W/ GASKET                    | AW 601 - 801         |
| 20                                                                                                         | <b>100208091*</b> | GASKET, FLAME SENSOR                      | ALL                  |
| 21                                                                                                         | <b>100165929*</b> | IGNITOR W/ GASKET                         | AW 151 - 501         |
| 21                                                                                                         | <b>100165920*</b> | IGNITOR W/ GASKET                         | AW 601 - 801         |
| 22                                                                                                         | <b>100208086*</b> | GASKET, IGNITOR                           | ALL                  |
| 23                                                                                                         | 100135308         | BURNER W/GASKET                           | AW 151               |
| 23                                                                                                         | 100135309         | BURNER W/GASKET                           | AW 200               |
| 23                                                                                                         | 100135310         | BURNER W/GASKET                           | AW 286               |
| 23                                                                                                         | 100135311         | BURNER W/GASKET                           | AW 400 - 501         |
| 23                                                                                                         | 100135313         | BURNER W/ GASKET                          | AW 601               |
| 23                                                                                                         | 100135314         | BURNER W/ GASKET                          | AW 701               |
| 23                                                                                                         | 100135315         | BURNER W/ GASKET                          | AW 801               |
| 24                                                                                                         | 100173796         | GAS/AIR ARM ASSEMBLY W/ GASKET            | AW 151               |
| 24                                                                                                         | 100173792         | GAS/AIR ARM ASSEMBLY W/ GASKET            | AW 200 - 400         |
| 24                                                                                                         | 100173793         | GAS/AIR ARM ASSEMBLY W/ GASKET            | AW 501               |
| 24                                                                                                         | 100173798         | GAS/AIR ARM ASSEMBLY W/GASKET             | AW 601 - 801         |
| 25                                                                                                         | <b>100208085*</b> | GASKET, BURNER                            | AW 151 - 501         |
| 25                                                                                                         | <b>100233594*</b> | GASKET, BURNER                            | AW 601 - 801         |
| 26                                                                                                         | 100173794         | HEAT EXCHANGER ACCESS DOOR KIT            | AW 151 - 501         |
| 26                                                                                                         | 100173799         | HEAT EXCHANGER ACCESS DOOR KIT            | AW 601 - 801         |
| 27                                                                                                         | 100292715         | SWITCH, HEX DOOR TEMP (BEGINNING SN# F14) | AW 286 - 801         |
| <b>MISCELLANEOUS</b>                                                                                       |                   |                                           |                      |
| 28                                                                                                         | 100163249         | SIGHT GLASS                               | ALL                  |
| 29                                                                                                         | 100208762         | GASKET, SIGHT GLASS                       | ALL                  |
| 30                                                                                                         | 100208060         | INSULATION, BURNER PLATE DOOR             | AW 151 - 501         |
| 30                                                                                                         | 100208059         | INSULATION, BURNER PLATE DOOR             | AW 601 - 801         |
| 31                                                                                                         | 100208061         | INSULATION BAFFLE, DIVIDER PLATE          | ALL                  |
| 32                                                                                                         | 100294581         | DISPLAY BEZEL                             | ALL                  |
| 33                                                                                                         | 100321509         | LEVELING LEG                              | ALL                  |
| 34                                                                                                         | 100208453         | T & P RELIEF 1" X 150#                    | AW 151 - 200         |
| 34                                                                                                         | 100208443         | T & P RELIEF 3/4" X 150#                  | AW 286 - 400         |
| 34                                                                                                         | 100208446         | T & P RELIEF 3/4" X 150#                  | AW 501 - 801         |
| -                                                                                                          | <b>100208807*</b> | FUSE, 1.25 AMP                            | ALL                  |
| -                                                                                                          | <b>100208231*</b> | FUSE, 3.15 AMP                            | ALL                  |
| -                                                                                                          | <b>100208232*</b> | FUSE, 5 AMP                               | ALL                  |
| -                                                                                                          | <b>100208660*</b> | FLOW SWITCH                               | AW 151 200 & 400-801 |
| -                                                                                                          | <b>100208661*</b> | FLOW SWITCH                               | AW 286               |
| 35                                                                                                         | 100163241         | CONDENSATE TRAP                           | AW 151 - 200         |
| 35                                                                                                         | 100163244         | CONDENSATE TRAP                           | AW 286 - 801         |
| 36                                                                                                         | <b>100208509*</b> | RELAY, 1.5 HP PUMP                        | ALL                  |
| <b>PLEASE HAVE SERIAL NUMBER AVAILABLE WHEN ORDERING PARTS<br/>*ITEMS DENOTE SUGGESTED INVENTORY PARTS</b> |                   |                                           |                      |

| ITEM NO.                                                       | PART NO.          | DESCRIPTION                             | MODEL        |
|----------------------------------------------------------------|-------------------|-----------------------------------------|--------------|
| <b>MISCELLANEOUS (CONTINUED)</b>                               |                   |                                         |              |
| -                                                              | <b>100208243*</b> | SWITCH, BLOCKED DRAIN                   | ALL          |
| -                                                              | 100208154         | GAUGE TRIOMETER, 75# PSI                | AW 501 - 801 |
| -                                                              | <b>100287156*</b> | FLUE TEMP SENSOR KIT                    | ALL          |
| -                                                              | 100189053         | KIT, COLLAR, FLUE 3"                    | AW 151 - 200 |
| -                                                              | 100189054         | KIT, COLLAR, FLUE 4"                    | AW 286 - 601 |
| -                                                              | 100157660         | ALARM BELL                              | ALL          |
| -                                                              | 100170644         | SENSOR KIT, TANK                        | ALL          |
| 37                                                             | 100208230         | TRANSFORMER                             | AW 151 - 701 |
| 37                                                             | 100208246         | TRANSFORMER                             | AW 801       |
| 38                                                             | <b>100208377*</b> | SWITCH, PRESSURE                        | AW 151 & 286 |
| 38                                                             | <b>100208378*</b> | SWITCH, PRESSURE                        | AW 200 & 400 |
| 38                                                             | <b>100208383*</b> | SWITCH, PRESSURE                        | AW 501       |
| 38                                                             | <b>100208382*</b> | SWITCH, PRESSURE                        | AW 601 - 801 |
| 39                                                             | 100277824         | FLUTED KNOB W/ SKIRT                    | ALL          |
| -                                                              | 100159008         | LP CONVERSION KIT                       | AW 151       |
| -                                                              | 100159009         | LP CONVERSION KIT                       | AW 200       |
| -                                                              | 100159010         | LP CONVERSION KIT                       | AW 286       |
| -                                                              | 100159011         | LP CONVERSION KIT                       | AW 400       |
| -                                                              | 100159012         | LP CONVERSION KIT                       | AW 501 - 801 |
| -                                                              | <b>100148402*</b> | LIMIT, HEAT EXCHANGER OVER TEMP         | ALL          |
| -                                                              | 100208625         | HARNESS, CONNECTION BOARD               | ALL          |
| -                                                              | 100299107         | HARNESS, RELAY                          | ALL          |
| -                                                              | 100299109         | HARNESS, POWER                          | AW 151 - 286 |
| -                                                              | 100299754         | HARNESS, POWER                          | AW 400 - 801 |
| -                                                              | 100208627         | HARNESS, GAS VALVE                      | AW 151 - 286 |
| -                                                              | 100208637         | HARNESS, GAS VALVE                      | AW 400       |
| -                                                              | 100173314         | HARNESS, GAS VALVE                      | AW 501       |
| -                                                              | 100299111         | HARNESS, GAS VALVE                      | AW 601 - 801 |
| -                                                              | 100208628         | HARNESS, UNIT                           | AW 151 & 200 |
| -                                                              | 100072936         | HARNESS, UNIT                           | AW 286       |
| -                                                              | 100072937         | HARNESS, UNIT                           | AW 400 - 801 |
| -                                                              | 100208636         | CABLE, RIBBON                           | AW 151 - 501 |
| -                                                              | 100208638         | CABLE, RIBBON                           | AW 601 - 801 |
| -                                                              | 100208621         | HARNESS, SPARK ELECTRODE                | AW 151 & 200 |
| -                                                              | 100208620         | HARNESS, SPARK ELECTRODE                | AW 286       |
| -                                                              | 100208618         | HARNESS, SPARK ELECTRODE                | AW 400 & 501 |
| -                                                              | 100208623         | HARNESS, SPARK ELECTRODE                | AW 601 - 801 |
| -                                                              | 100208622         | HARNESS, FLAME SENSE ELECTRODE          | ALL          |
| <b>PUMPS</b>                                                   |                   |                                         |              |
| 40                                                             | 100166430         | PUMP, PRIOR TO DECEMBER 2014            | AW 151 - 200 |
| 40                                                             | 100208409         | PUMP, STANDARD, BEGINNING DECEMBER 2014 | AW 151 - 200 |
| 40                                                             | 100287807         | PUMP, STANDARD, BEGINNING OCTOBER 2017  | AW 151 - 200 |
| 40                                                             | 100287809         | PUMP, UPSIZED, BEGINNING JULY 2017      | AW 151 - 200 |
| 40                                                             | 100166428         | PUMP, STANDARD                          | AW 286       |
| 40                                                             | 100166409         | PUMP, UPSIZED, BEGINNING JULY 2017      | AW 286       |
| 40                                                             | 100166432         | PUMP, PRIOR TO DECEMBER 2014            | AW 400       |
| 40                                                             | 100232190         | PUMP, STANDARD, BEGINNING DECEMBER 2014 | AW 400       |
| 40                                                             | 100166409         | PUMP, UPSIZED, BEGINNING JULY 2017      | AW 400       |
| 40                                                             | 100287810         | PUMP, UPSIZED, BEGINNING OCTOBER 2017   | AW 400       |
| 40                                                             | 100166408         | PUMP, PRIOR TO DECEMBER 2014            | AW 501 - 601 |
| 40                                                             | 100232190         | PUMP, BEGINNING DECEMBER 2014           | AW 501 - 601 |
| <b>PLEASE HAVE SERIAL NUMBER AVAILABLE WHEN ORDERING PARTS</b> |                   |                                         |              |
| <b>*ITEMS DENOTE SUGGESTED INVENTORY PARTS</b>                 |                   |                                         |              |

| ITEM NO.                                                                                                                    | PART NO.  | DESCRIPTION                           | MODEL        |
|-----------------------------------------------------------------------------------------------------------------------------|-----------|---------------------------------------|--------------|
| <b>PUMPS (CONTINUED)</b>                                                                                                    |           |                                       |              |
| 40                                                                                                                          | 100166409 | PUMP, UPSIZED, BEGINNING JULY 2017    | AW 501 - 601 |
| 40                                                                                                                          | 100287810 | PUMP, UPSIZED, BEGINNING OCTOBER 2017 | AW 501 - 601 |
| 40                                                                                                                          | 100166409 | PUMP, STANDARD                        | AW 701 - 801 |
| 40                                                                                                                          | 100287831 | PUMP, UPSIZED, BEGINNING JULY 2017    | AW 701 - 801 |
| <b>JACKET ASSEMBLY</b>                                                                                                      |           |                                       |              |
| 41                                                                                                                          | 100149684 | JACKET, TOP                           | AW 151       |
| 41                                                                                                                          | 100149687 | JACKET, TOP                           | AW 200       |
| 41                                                                                                                          | 100149688 | JACKET, TOP                           | AW 286       |
| 41                                                                                                                          | 100149689 | JACKET, TOP                           | AW 400       |
| 41                                                                                                                          | 100149690 | JACKET, TOP                           | AW 501       |
| 41                                                                                                                          | 100149691 | JACKET, TOP                           | AW 601       |
| 41                                                                                                                          | 100149692 | JACKET, TOP                           | AW 701       |
| 41                                                                                                                          | 100149693 | JACKET, TOP                           | AW 801       |
| 42                                                                                                                          | 100189059 | JACKET, FRONT                         | AW 151 - 200 |
| 42                                                                                                                          | 100189060 | JACKET, FRONT                         | AW 286       |
| 42                                                                                                                          | 100189061 | JACKET, FRONT                         | AW 400 - 801 |
| 43                                                                                                                          | 100149874 | JACKET, LEFT SIDE                     | AW 151       |
| 43                                                                                                                          | 100149875 | JACKET, LEFT SIDE                     | AW 200       |
| 43                                                                                                                          | 100149876 | JACKET, LEFT SIDE                     | AW 286       |
| 43                                                                                                                          | 100149878 | JACKET, LEFT SIDE                     | AW 400       |
| 43                                                                                                                          | 100149861 | JACKET, LEFT SIDE                     | AW 501       |
| 43                                                                                                                          | 100149862 | JACKET, LEFT SIDE                     | AW 601       |
| 43                                                                                                                          | 100149863 | JACKET, LEFT SIDE                     | AW 701       |
| 43                                                                                                                          | 100149864 | JACKET, LEFT SIDE                     | AW 801       |
| 44                                                                                                                          | 100150904 | JACKET, RIGHT SIDE                    | AW 151       |
| 44                                                                                                                          | 100150905 | JACKET, RIGHT SIDE                    | AW 200       |
| 44                                                                                                                          | 100150906 | JACKET, RIGHT SIDE                    | AW 286       |
| 44                                                                                                                          | 100150907 | JACKET, RIGHT SIDE                    | AW 400       |
| 44                                                                                                                          | 100150341 | JACKET, RIGHT SIDE                    | AW 501       |
| 44                                                                                                                          | 100150212 | JACKET, RIGHT SIDE                    | AW 601       |
| 44                                                                                                                          | 100150220 | JACKET, RIGHT SIDE                    | AW 701       |
| 44                                                                                                                          | 100150225 | JACKET, RIGHT SIDE                    | AW 801       |
| <p><b>PLEASE HAVE SERIAL NUMBER AVAILABLE WHEN ORDERING PARTS</b></p> <p><b>*ITEMS DENOTE SUGGESTED INVENTORY PARTS</b></p> |           |                                       |              |

